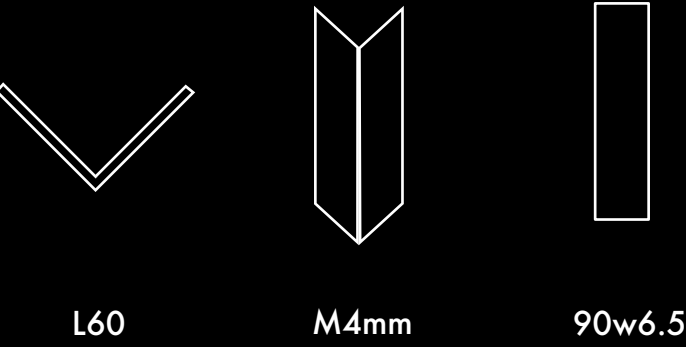
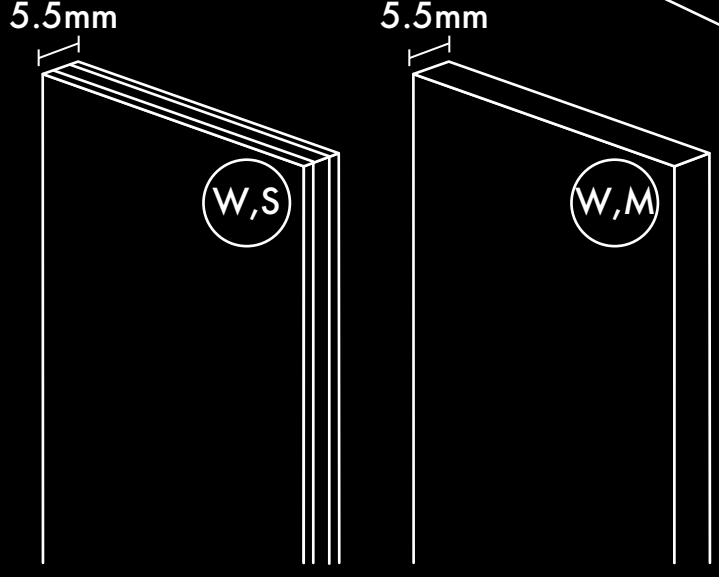
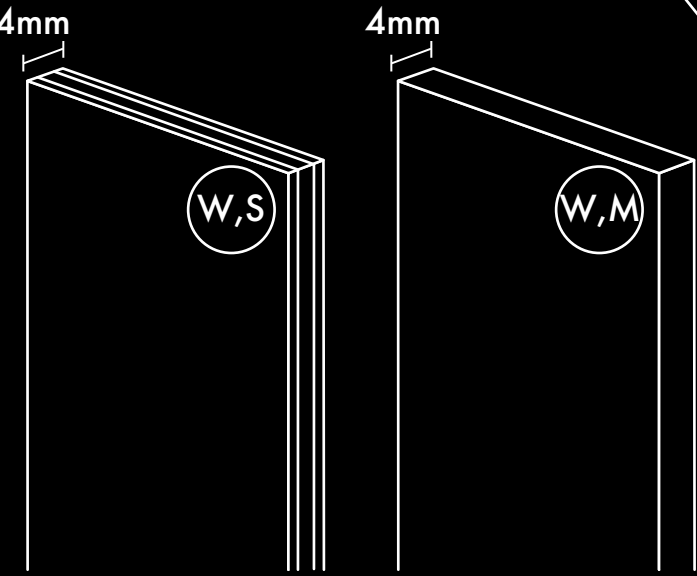
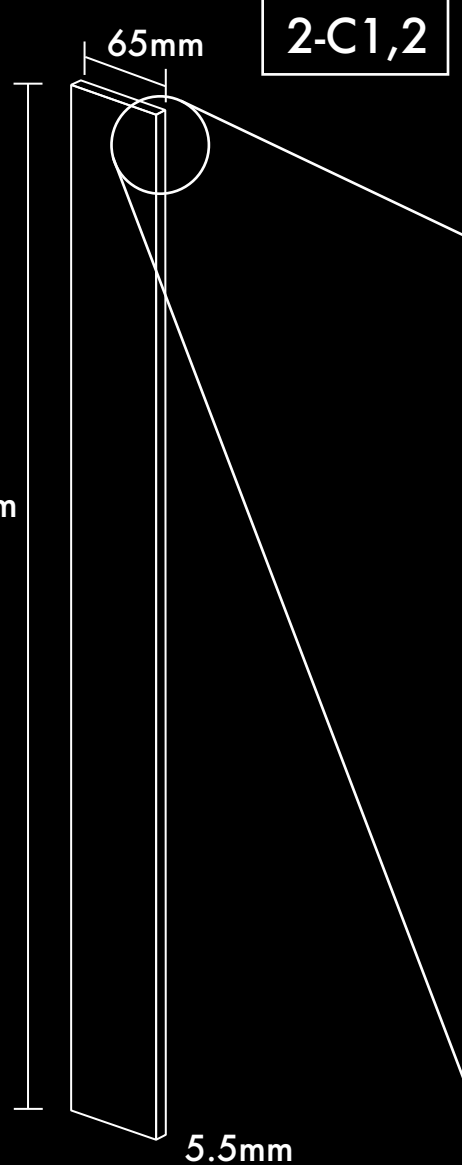
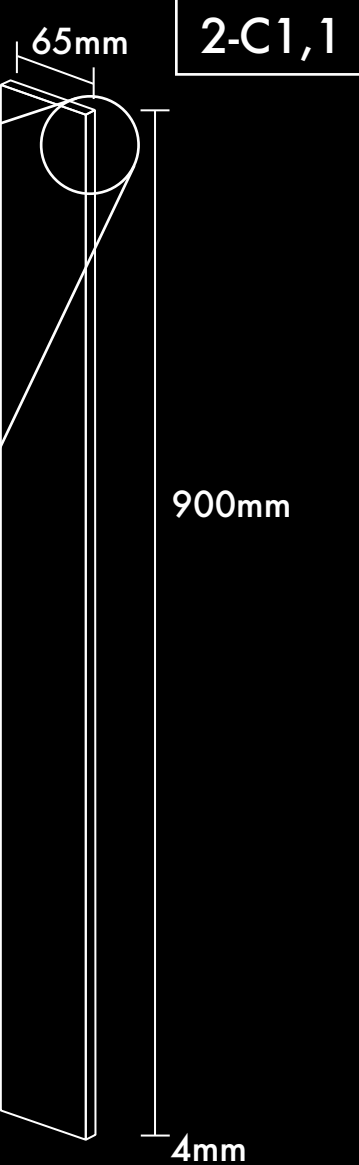
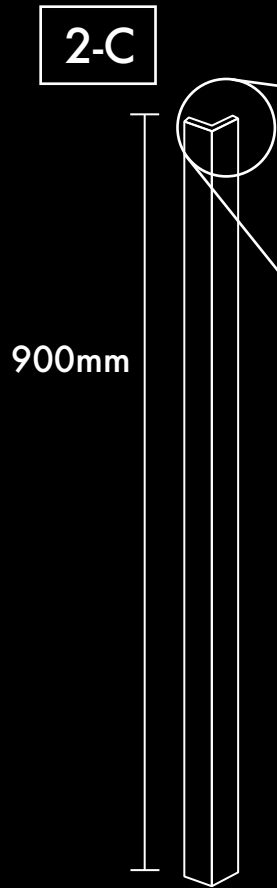
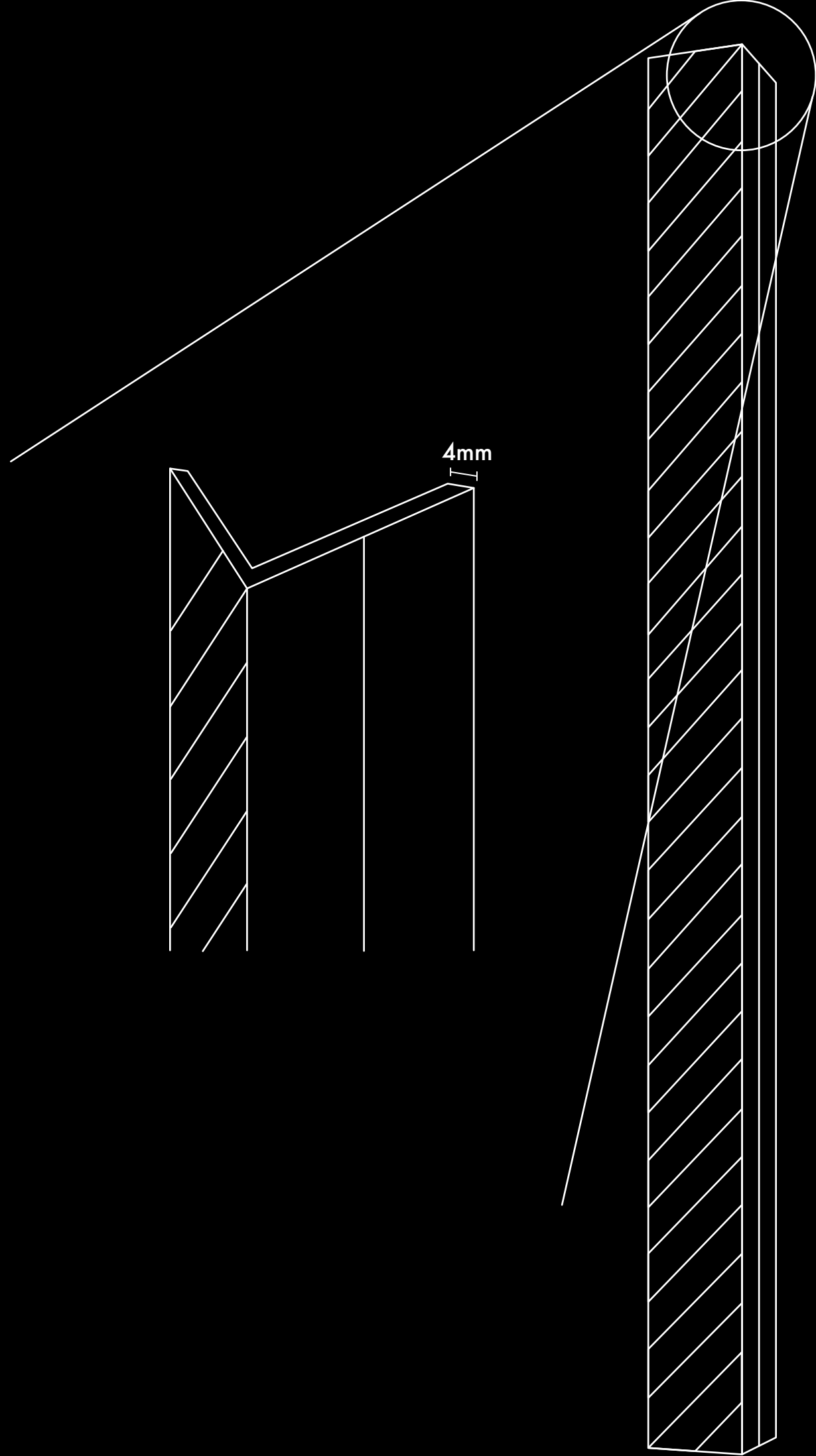


# LINE 16



W,M MDF  
W,S SHINA



Pcs Size:H900xW90xD50mm

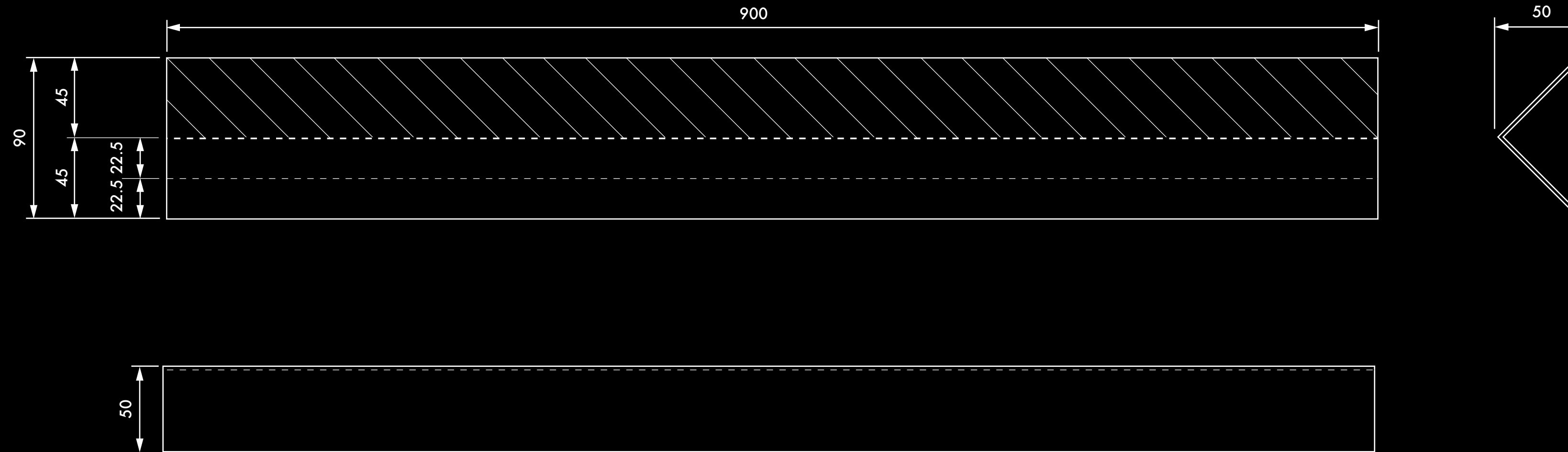
Exh Size:H900xW900xD50mm(10pcs)

Medium wood,acrylic

Year 2021

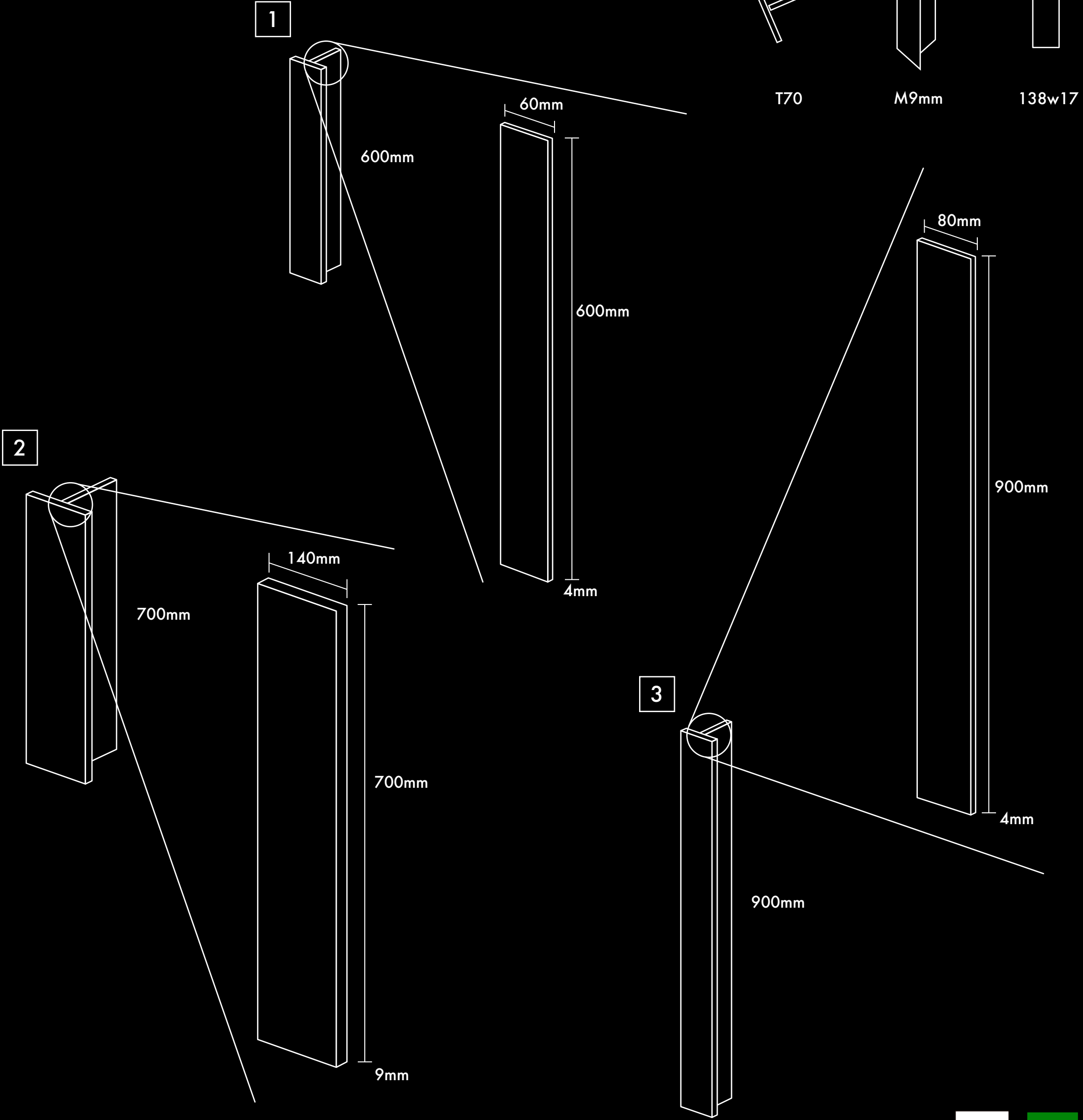
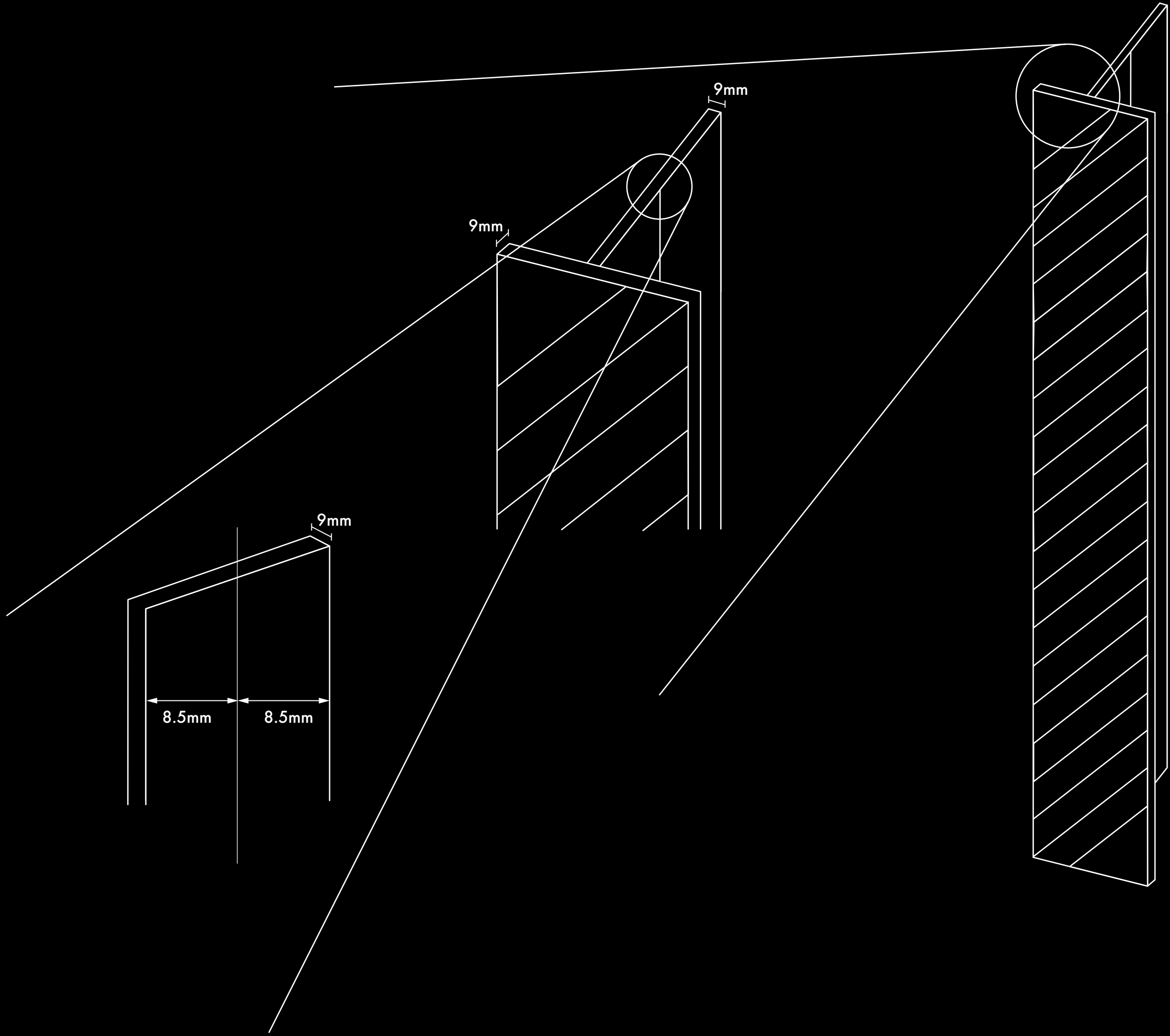
Original

AW Number 585Hw



LINE16

# LINE21



Pcs Size:H1380xW170xD120mm

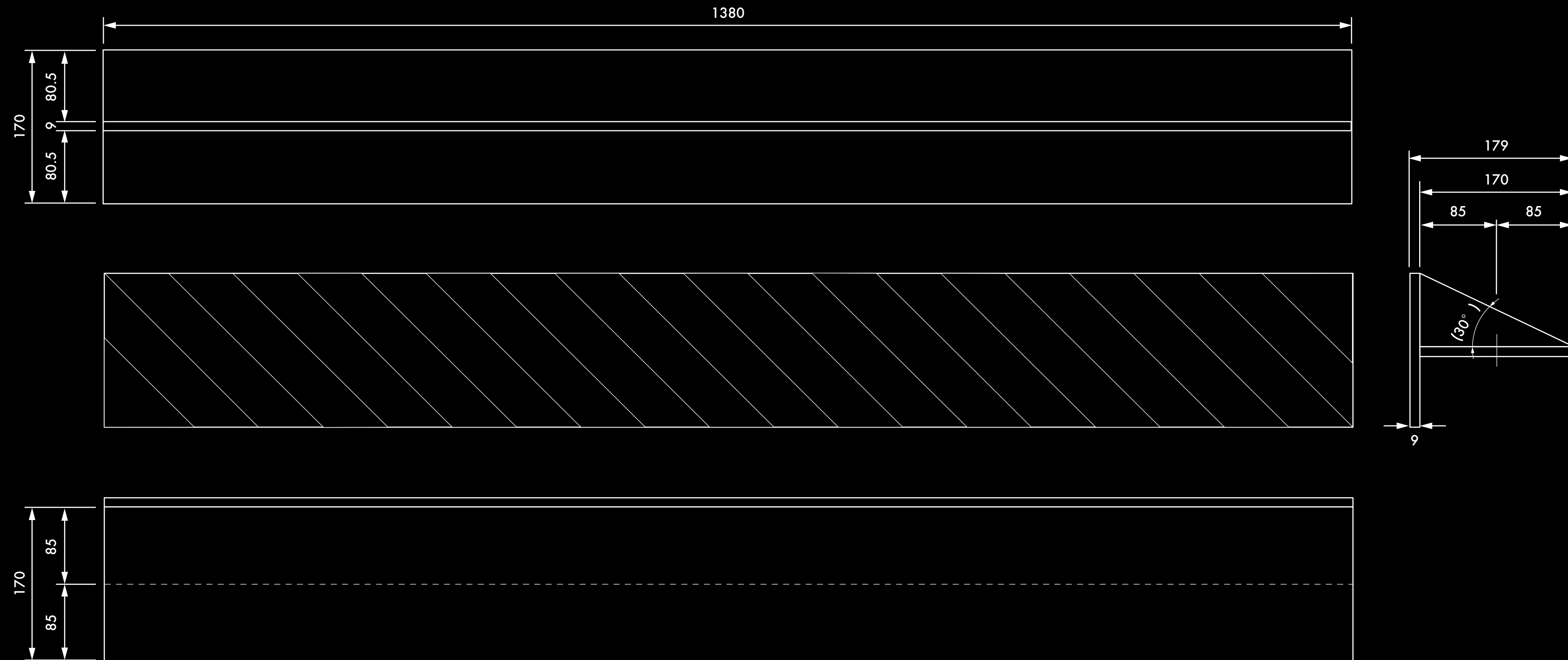
Exh Size:H1380xW1700xD120mm(10pcs)

Medium wood,acrylic

Year 2022

Edition 製造番号 01-10

AW Number 2346Hw



LINE21